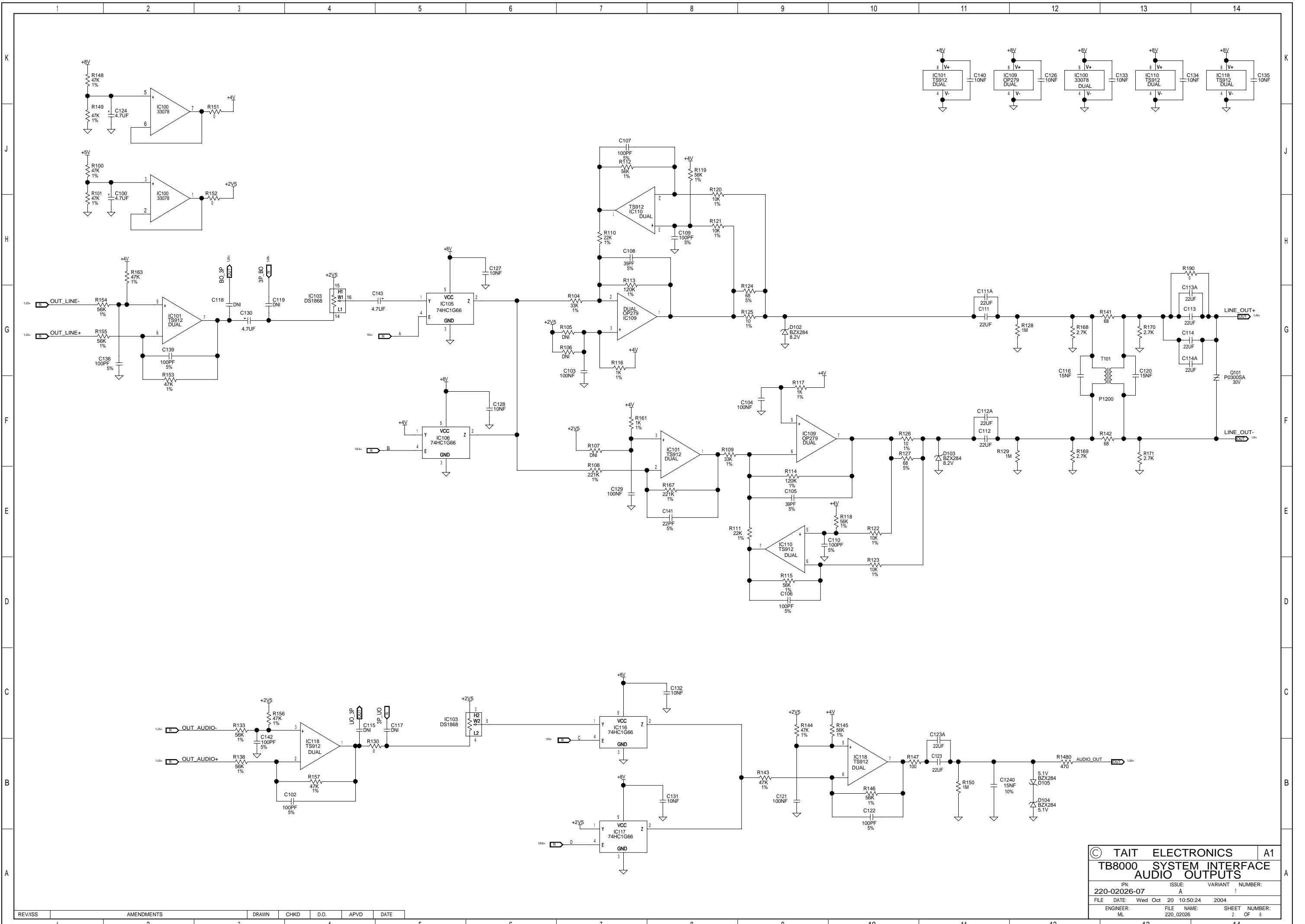


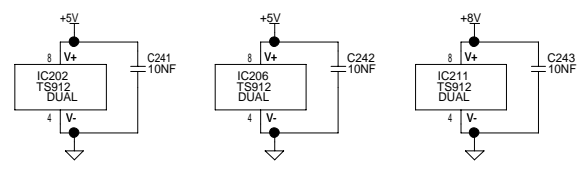
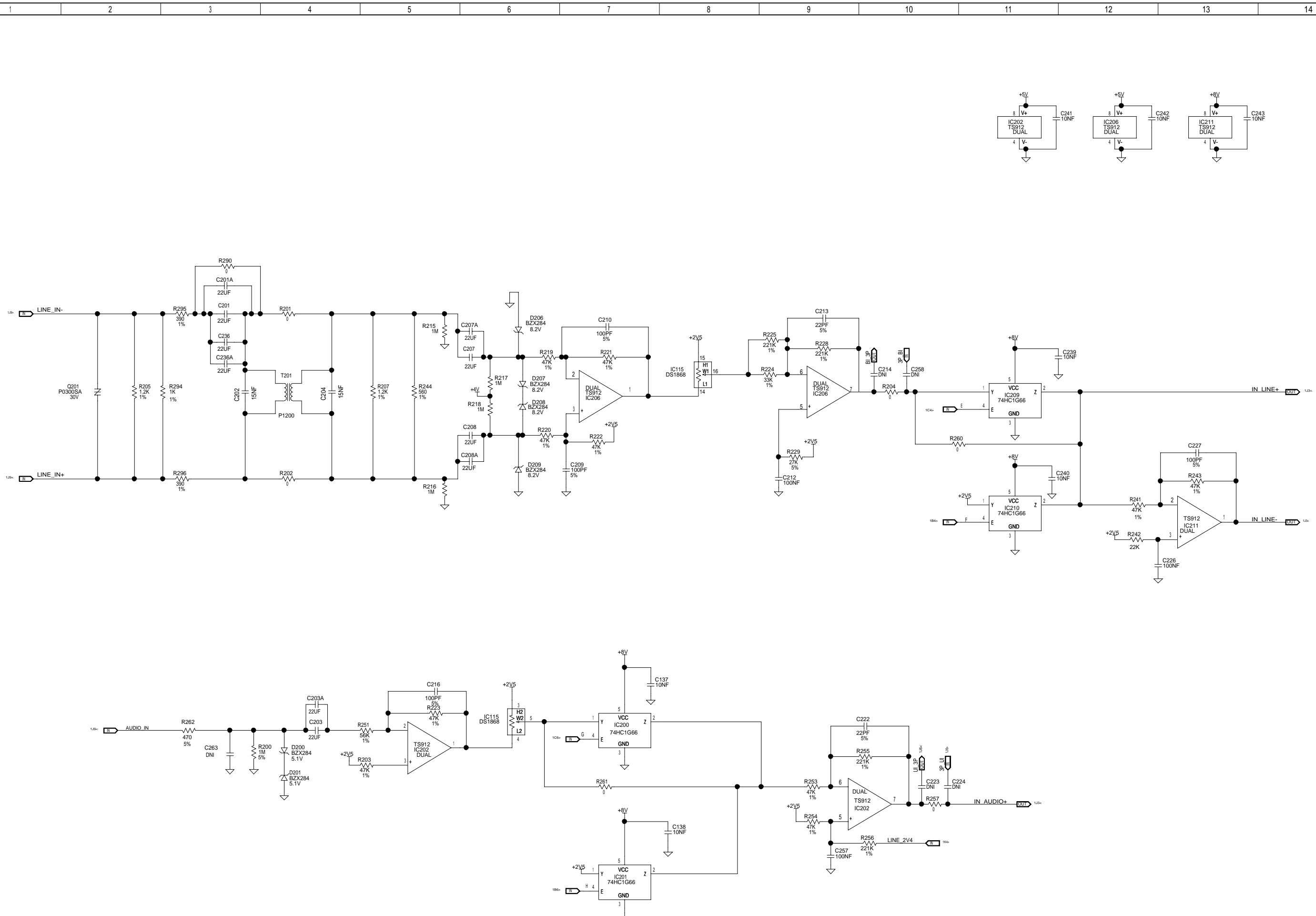
07A	DCO 02026-004	CORRECTION TO CIRCUITRY	CJK	ML	CK	ML	20OCT04
06A	DCO 02026-003	ADDITIONAL DIGITAL OUTPUTS ADDED	CJK	ML	CK	ML	29SEP04
05A	ECO 101200072		LA	LA	CK	LA	15/5/03
04A	DCO 02026-002		LA	LA	CK	LA	17/2/03
03A	CLONED FROM 220-02026-02		LA				9/2/02
02A	CLONED FROM 220-02026-01		LA				2/8/02
01A	CLONED FROM 226-00227-05		PG				4/6/02
REV/ISS	AMENDMENTS		DRAWN	CHKD	D.O.	APVD	DATE

© TAIT ELECTRONICS		A1
TB8000 SYSTEM INTERFACE CONNECTORS & MISC.		
IPN:	ISSUE:	VARIANT NUMBER:
220-02026-07	A	1
FILE DATE:	Wed Oct 20 13:54:58 2004	
ENGINEER:	FILE NAME:	SHEET NUMBER:
ML	220_02026	1 OF 6



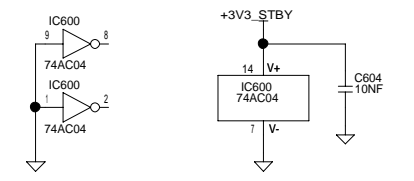
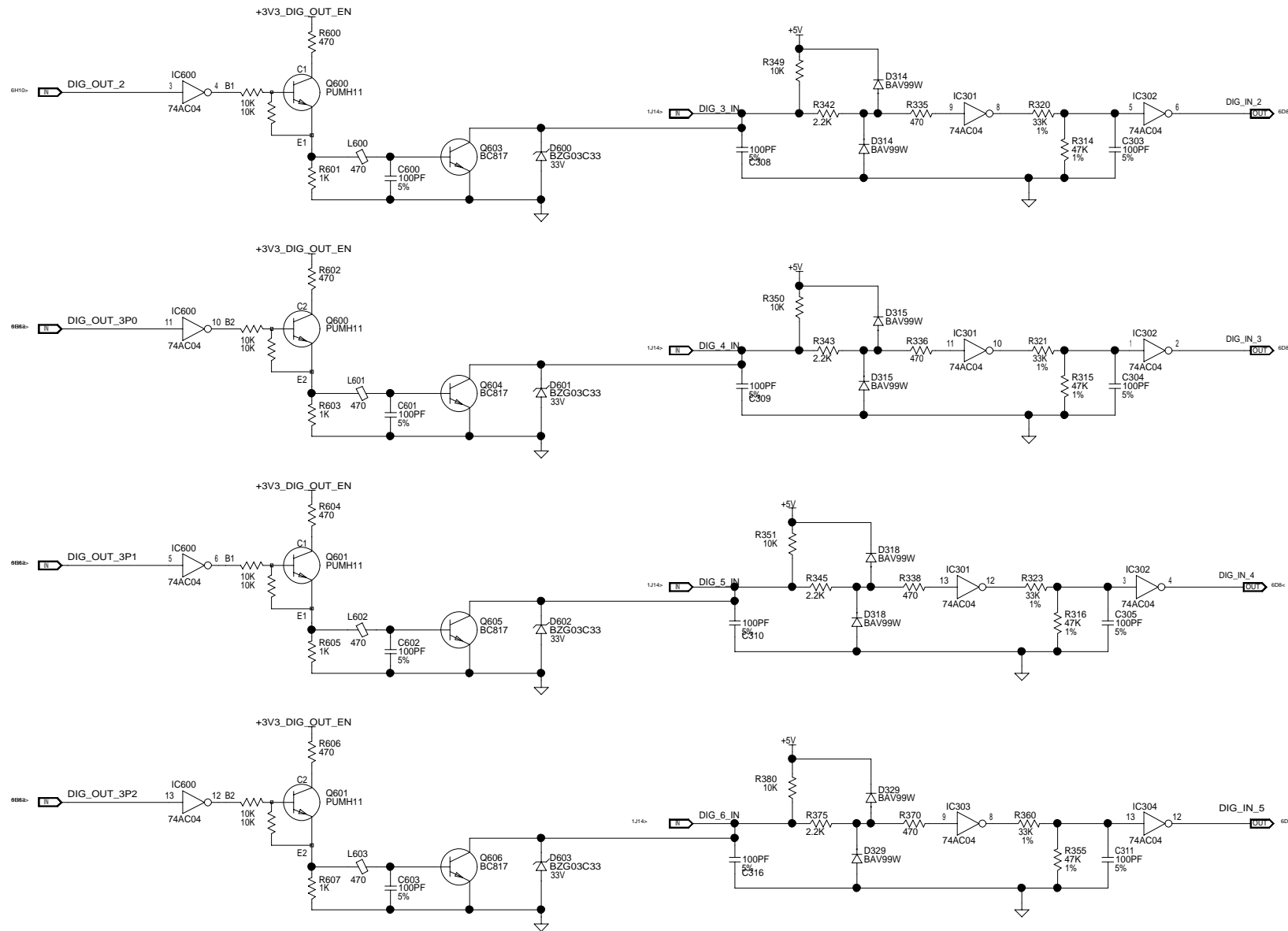
© TAIT ELECTRONICS		A1
TB8000 SYSTEM INTERFACE AUDIO OUTPUTS		
IPN: 220-02026-07	ISSUE: A	VARIANT NUMBER: 1
FILE DATE: Wed Oct 20 10:50:24 2004		
ENGINEER: ML	FILE NAME: 220_02026	SHEET NUMBER: 2 OF 6

REV/ISS	AMENDMENTS	DRAWN	CHKD	D.O.	APVD	DATE
1						



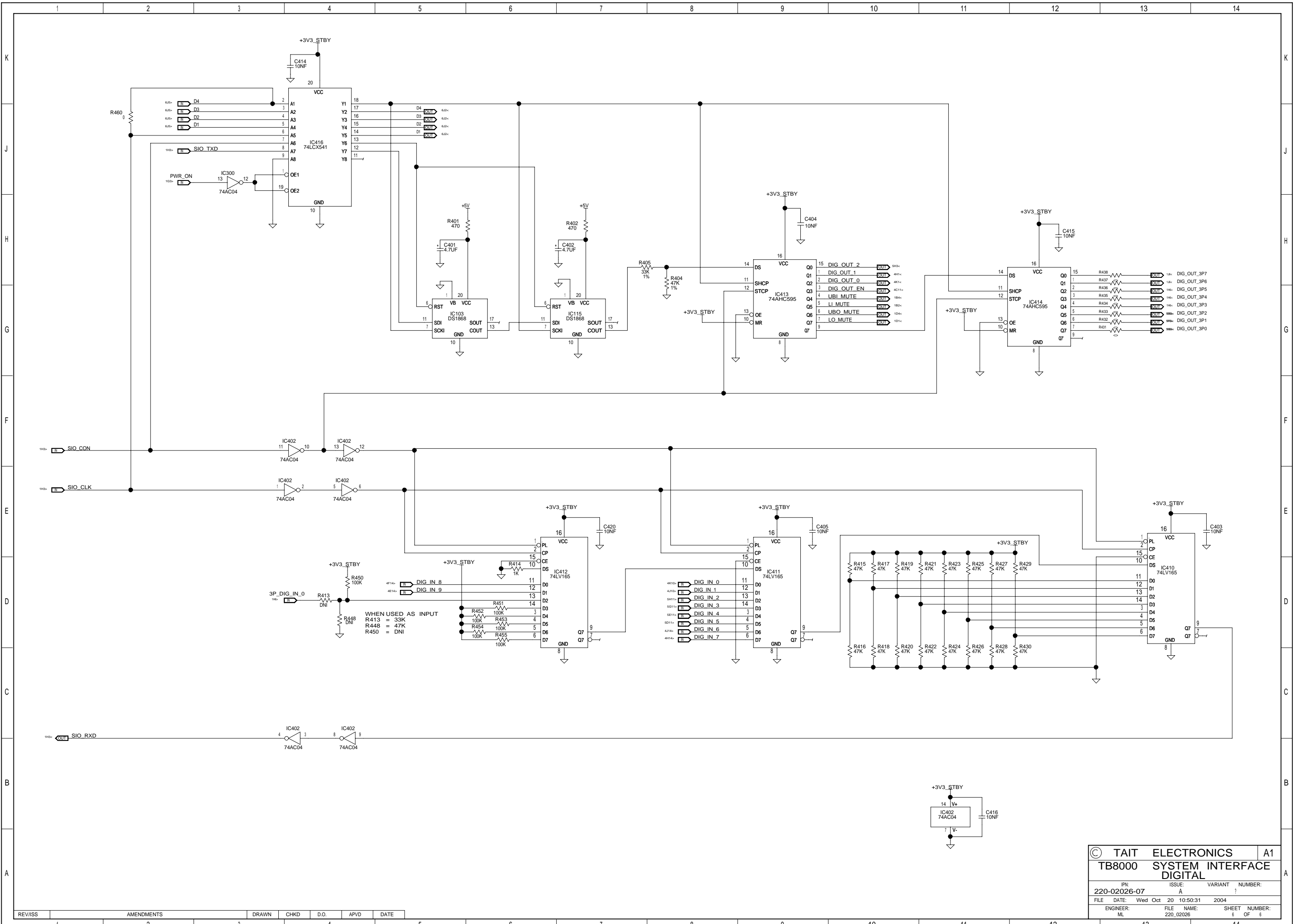
© TAIT ELECTRONICS		A1
TB8000 SYSTEM INTERFACE AUDIO INPUTS		
IPN: 220-02026-07	ISSUE: A	VARIANT NUMBER: 1
FILE DATE: Wed Oct 20 10:50:26 2004		
ENGINEER: ML	FILE NAME: 220_02026	SHEET NUMBER: 3 OF 6

REV/ISS	AMENDMENTS	DRAWN	CHKD	D.O.	APVD	DATE
1						



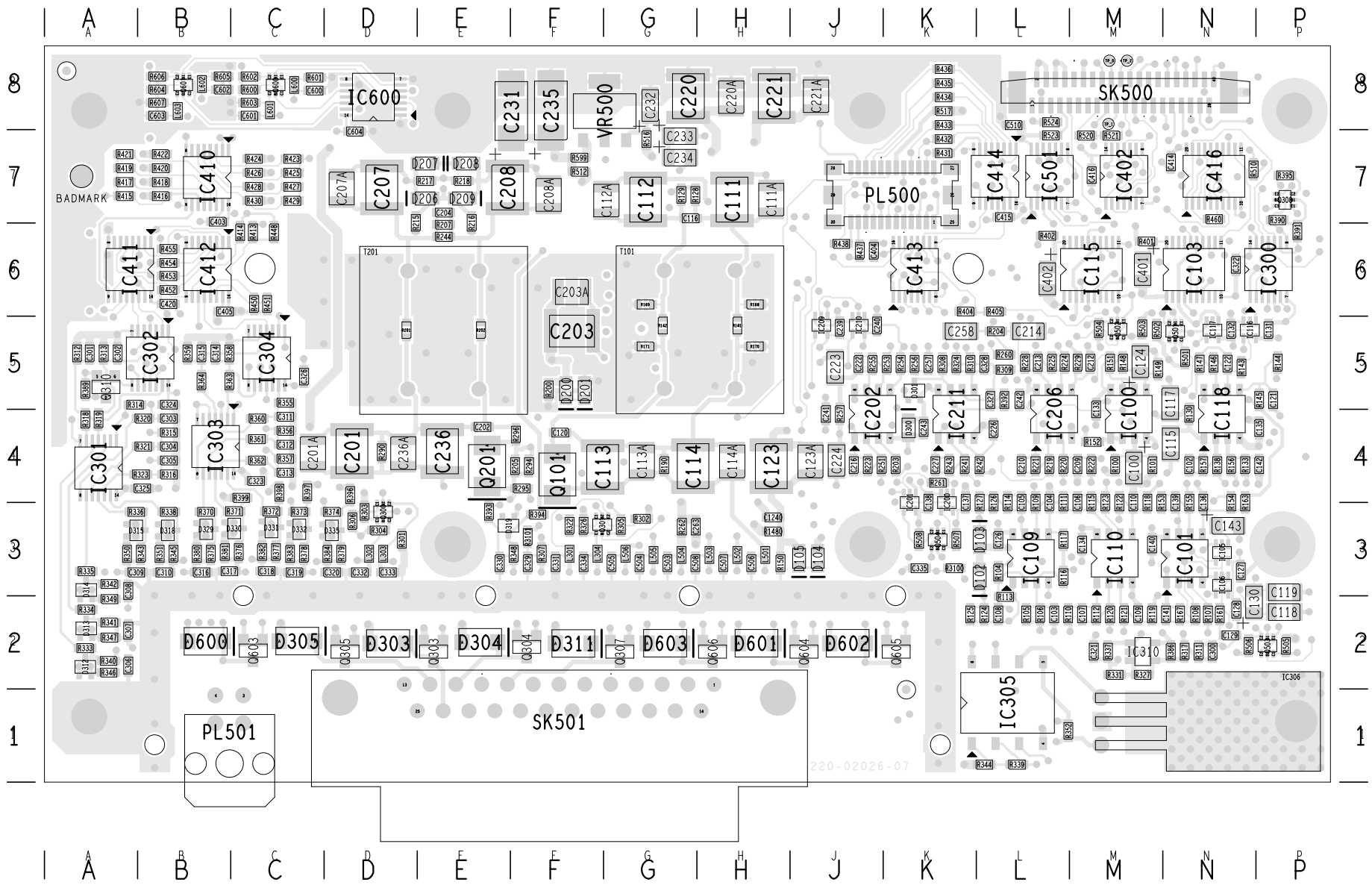
© TAIT ELECTRONICS		A1
TB8000 SYSTEM INTERFACE DIG I/O		
IPN: 220-02026-07	ISSUE: A	VARIANT NUMBER: 1
FILE DATE: Wed Oct 20 10:50:30 2004		
ENGINEER: ML	FILE NAME: 220_02026	SHEET NUMBER: 5 OF 6

REV/ISS	AMENDMENTS	DRAWN	CHKD	D.O.	APVD	DATE
1						
2						
3						
4						
5						
6						
7						
8						
9						
10						
11						
12						
13						
14						

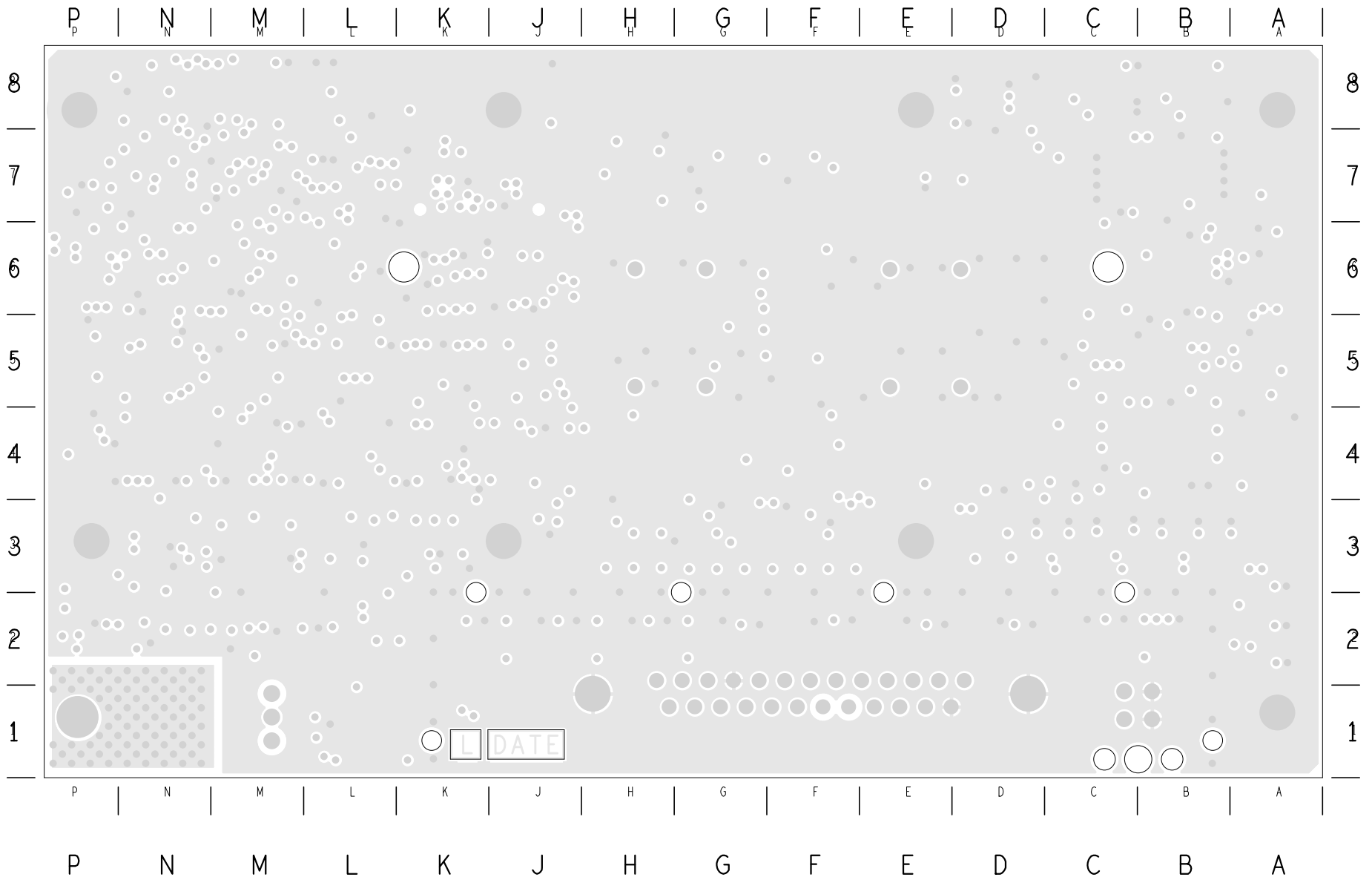


© TAIT ELECTRONICS		A1
TB8000 SYSTEM INTERFACE DIGITAL		
IPN: 220-02026-07	ISSUE: A	VARIANT NUMBER: 1
FILE DATE: Wed Oct 20 10:50:31 2004	SHEET NUMBER: 6 OF 6	
ENGINEER: ML	FILE NAME: 220_02026	

REV/ISS	AMENDMENTS	DRAWN	CHKD	D.O.	APVD	DATE
1						
2						
3						
4						
5						
6						
7						
8						
9						
10						
11						
12						
13						
14						



TAIT ELECTRONICS	IPN: 220-02026-07	ISS: A	DATE: 200c+04	SCALE: NTS
TB8000 SYSTEM INTERFACE LAYOUT-PRIMARY-SIDE				



TAIT ELECTRONICS	IPN: 220-02026-07	ISS: A	DATE: 200c+04	SCALE: NTS
TB8000 SYSTEM INTERFACE LAYOUT-SECONDARY-SIDE				